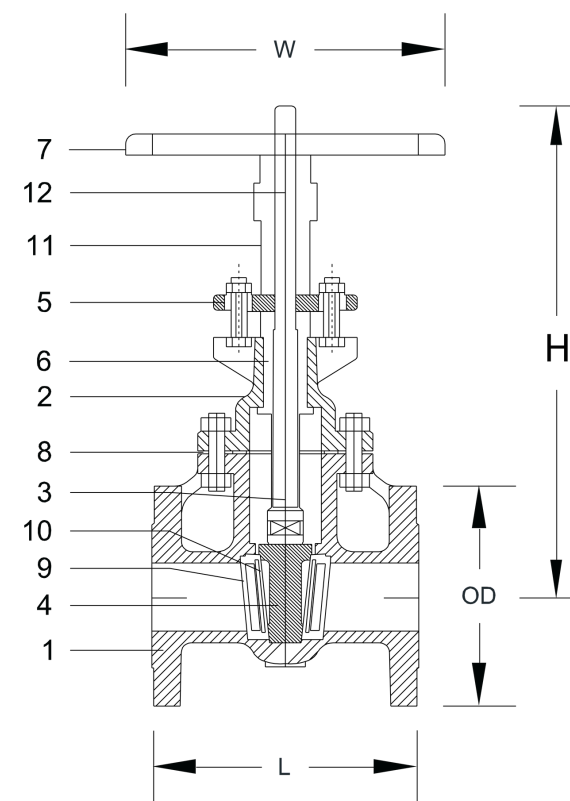


PN 16 DUCTILE IRON GATE VALVE

(Rising stem) Outside Screw & Yoke

| | STANDARDS |
|------------------|------------------------------|
| DESIGN STANDARD | ANSI B16.10 |
| END CONNECTION | ANSI B16.1 |
| END TO END | API 6D / JIS 10K / MSS SP 70 |
| TESTING STANDARD | API 598 |

Applications: Regulation & Control of Oil & Gas Pipelines, Water Supply Systems, Chemical Plants, and others Industrial Applications to Control the Flow of Liquids.



| | COMPONENT | SPECIFICATIONS | |
|----|----------------|--|--------|
| 1 | BODY | CAST IRON (A126 CLASS B) | |
| 2 | BONNET | CAST IRON (A126 CLASS B) | |
| 3 | STEM | STAINLESS STEEL 420 / EN 1.402 1 | BRONZE |
| 4 | DISC | For < 8" STAINLESS STEEL 420 / EN 1.4021 For > 8" CAST IRON (A 126 Class B) | |
| 5 | GLAND | CAST IRON / CARBON STEEL | |
| 6 | GLAND PACKING | FLEXIBLE GRAPHITE | |
| 7 | HAND WHEEL | CAST IRON / CARBON STEEL | |
| 8 | GASKET | NON ASBESTOS SHEET | |
| 9 | BODY SEAT RING | STAINLESS STEEL 420 / EN 1.4021 | BRONZE |
| 10 | DISC SEAT RING | STAINLESS STEEL 420 / EN 1.4021 | BRONZE |
| 11 | YOKE | CAST IRON (A126 CLASS B) | |
| 12 | YOKE SLEEVE | CAST BRASS | BRONZE |

Dimensions in mm

| DN | 40 | 50 | 65 | 80 | 100 | 125 | 150 | 200 | 250 | 300 | 350 | 400 | 450 | 500 | 600 | 700 |
|----|-----|-----|-----|-----|-----|-----|-----|-----|-----|------|------|------|------|------|------|------|
| L | 165 | 178 | 190 | 203 | 229 | 254 | 267 | 292 | 330 | 356 | 381 | 406 | 432 | 457 | 508 | 610 |
| OD | 130 | 150 | 180 | 190 | 230 | 255 | 280 | 345 | 405 | 485 | 535 | 600 | 635 | 700 | 815 | 927 |
| H | 270 | 320 | 360 | 400 | 470 | 530 | 650 | 800 | 960 | 1150 | 1310 | 1500 | 1600 | 1770 | 2100 | 2600 |
| W | 200 | 200 | 200 | 230 | 250 | 250 | 290 | 290 | 400 | 480 | 480 | 600 | 600 | 600 | 700 | 1000 |